



1. Rubber bumper
2. Operating handle
3. Lip
4. Deck
5. Frame
6. Bumper block assembly

Painted Dock Leveler Color



RAL 9005 Jet black



RAL 5005 Signal blue

EDGE-OF-DOCK LEVELER

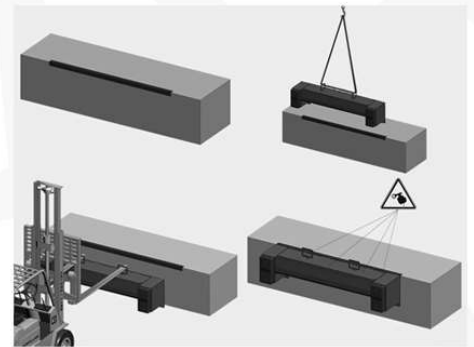
DOORHAN®

Edge-of-dock leveler is designed as a simple and economical equipment ideal for servicing trucks with minimal height differences with the dock. The leveler is used in warehouses and logistics facilities docks where it's necessary to provide fast and secure loading and unloading. It works without electrical supply and can be used in case of backout or if pit leveler installation is not feasible. The leveler is lifted with operating handle by one operator. While lifting the lip opens. Next the platform lowers until it reaches the vehicle load bed. Once all work is completed the leveler lifts, the lip lowers and the platform returns to its original stored position.

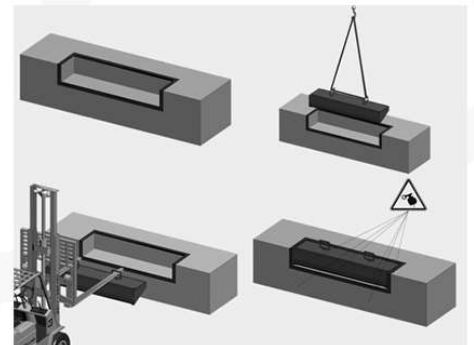
SPECIFICATION

	EOD 2007	EOD 1807	EOD 1807
Model	EOD 2007	EOD 1807	EOD 1807
Operation System	Mechanical	Mechanical	Hydraulic
Dimension (mm)	W2000 x L700	W1830 x L700	W1830 x L700
Total Width (mm)	2425	2255	2255
Platform Width (mm)	2000	1830	1830
Total Length (mm)	700	700	700
Capacity (kg)	6000	6000	6000
Lip Cylinder (mm)	245	245	245
Power Supply	-	-	380V, 3P, 50Hz
Working Range	+/- 100 Above / Below Dock		

MOUNTING OPTIONS



Embedded mounting



Suspended mounting

STANDARD CONSTRUCTION



Standard lip 300 mm.

