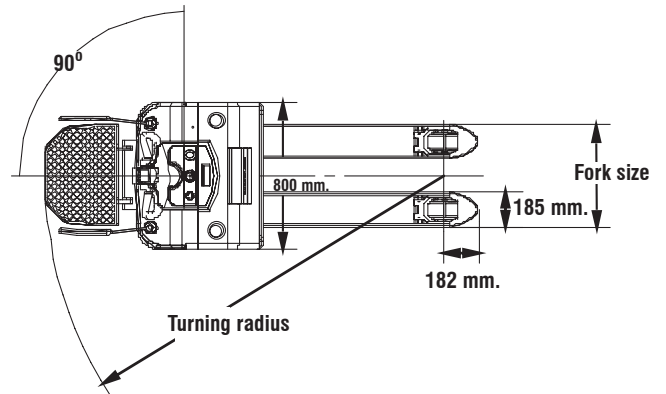
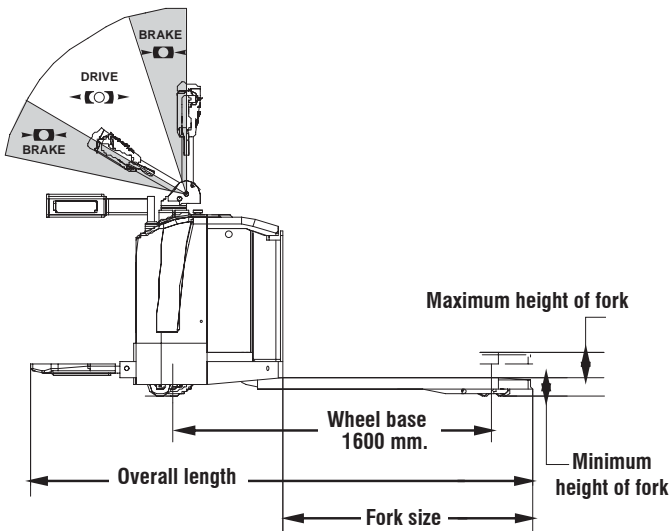


## Model: EP25R/EL

### Electric Pallet Truck

An electrical powered Pallet Truck for fast moving and lifting pallet.

- ▶ Enhanced structure design strengthens the whole machine body.
- ▶ Equipped with Steer-By-Wire system(SBW) high-efficiency AC motor, and built-in pressurized hydraulic cylinder.
- ▶ High-capacity battery and lateral-pull-out battery can assure the convenience of the battery movement.
- ▶ Arm protection and foot platform are equipped to protect the operator.



Model	Load capacity [kg.]	Fork size [mm.]	Min. / Max. height of Fork [mm.]	Overall length* [mm.]	Turning radius [mm.]	Weight** [kg.]
EP25R/EL	2500	685 x 1165	85 / 120	1900/ 2300	2158	850

\*Overall length : Platform fold / unfold  
\*\*Weight with battery

